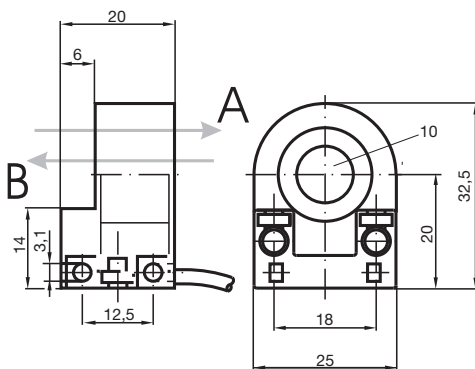


## Inductive ring sensor RC10-14-N3

- 10 mm inside diameter
- Bistable
- Direction detection



### Dimensions



### Technical Data

#### General specifications

Switching function	Normally closed (NC)
Output type	NAMUR, bistable
Inside diameter	10 mm
Measuring cylinder	
Diameter	2.5 mm
Length	3 mm
Measuring cone	
Material	9S20K
Output type	2-wire

#### Nominal ratings

Nominal voltage	$U_o$	8.2 V ( $R_i$ approx. 1 k $\Omega$ )
Hysteresis	H	typ. 1 %
Reverse polarity protection		reverse polarity protected

Release date: 2020-11-16 Date of issue: 2020-11-16 Filename: 051666\_eng.pdf

Refer to "General Notes Relating to Pepperl+Fuchs Product Information".

Pepperl+Fuchs Group  
www.pepperl-fuchs.com

USA: +1 330 486 0001  
fa-info@us.pepperl-fuchs.com

Germany: +49 621 776 1111  
fa-info@de.pepperl-fuchs.com

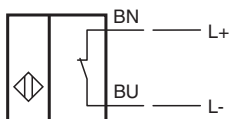
Singapore: +65 6779 9091  
fa-info@sg.pepperl-fuchs.com

PEPPERL+FUCHS

## Technical Data

Current consumption		
Traverse B		3 mA
Traverse A		1 mA
Time delay before availability	$t_v$	$\leq 5$ ms
<b>Functional safety related parameters</b>		
MTTF <sub>d</sub>		2144 a
Mission Time (T <sub>M</sub> )		20 a
Diagnostic Coverage (DC)		0 %
<b>Compliance with standards and directives</b>		
Standard conformity		
NAMUR		EN 60947-5-6:2000 IEC 60947-5-6:1999
Standards		EN 60947-5-2:2007 EN 60947-5-2/A1:2012 IEC 60947-5-2:2007 IEC 60947-5-2 AMD 1:2012
<b>Approvals and certificates</b>		
ATEX approval		
Equipment protection level Gb		PTB 99 ATEX 2128 X
FM approval		
Control drawing		116-0165
UL approval		cULus Listed, General Purpose
CSA approval		cCSAus Listed, General Purpose
<b>Ambient conditions</b>		
Ambient temperature		-20 ... 100 °C (-4 ... 212 °F)
<b>Mechanical specifications</b>		
Connection type		cable PVC , 2 m
Core cross-section		0.14 mm <sup>2</sup>
Housing material		PBT
Degree of protection		IP67
Cable		
Bending radius		> 10 x cable diameter
<b>General information</b>		
Use in the hazardous area		see instruction manuals

## Connection



Release date: 2020-11-16 Date of issue: 2020-11-16 Filename: 051666\_eng.pdf