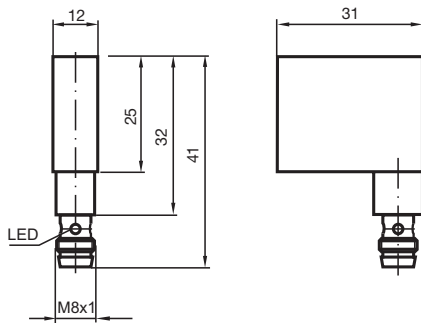


# Inductive sensor NJ1,5-F2-E2-V3

■ Comfort series



## Dimensions



## Technical Data

### General specifications

Switching function		Normally open (NO)
Output type		PNP
Rated operating distance	$s_n$	1.5 mm
Installation		flush
Output polarity		DC
Assured operating distance	$s_a$	0 ... 1.215 mm
Output type		3-wire

### Nominal ratings

Operating voltage	$U_B$	10 ... 30 V
Switching frequency	$f$	1000 Hz
Hysteresis	$H$	typ. 5%
Reverse polarity protection		reverse polarity protected

Release date: 2020-03-20 Date of issue: 2020-03-30 Filename: 086589\_eng.pdf

Refer to "General Notes Relating to Pepperl+Fuchs Product Information".

Pepperl+Fuchs Group  
www.pepperl-fuchs.com

USA: +1 330 486 0001  
fa-info@us.pepperl-fuchs.com

Germany: +49 621 776 1111  
fa-info@de.pepperl-fuchs.com

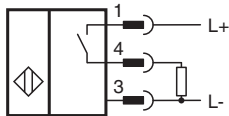
Singapore: +65 6779 9091  
fa-info@sg.pepperl-fuchs.com

**PF** PEPPERL+FUCHS

## Technical Data

Short-circuit protection		pulsing
Voltage drop	$U_d$	$\leq 3 \text{ V}$
Operating current	$I_L$	0 ... 200 mA
No-load supply current	$I_0$	$\leq 15 \text{ mA}$
Switching state indicator		LED, red
<b>Compliance with standards and directives</b>		
Standard conformity		
Standards		EN 60947-5-2:2007 EN 60947-5-2/A1:2012 IEC 60947-5-2:2007 IEC 60947-5-2 AMD 1:2012
<b>Approvals and certificates</b>		
UL approval		cULus Listed, General Purpose
CSA approval		cCSAus Listed, General Purpose
<b>Ambient conditions</b>		
Ambient temperature		-25 ... 70 °C (-13 ... 158 °F)
<b>Mechanical specifications</b>		
Connection type		Connector plug M8 x 1 , 3-pin
Housing material		Polyamide (PA)
Degree of protection		IP67
Note		Use a stop screw combined with a model -F2 sensor from Pepperl+Fuchs GmbH. The maximum actuation speed of the control slide is 0.1 m/s

## Connection



## Connection Assignment



Wire colors in accordance with EN 60947-5-2

1	BN	(brown)
3	BU	(blue)
4	BK	(black)

## Additional Information

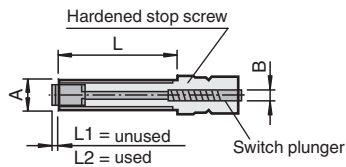
The inductive proximity sensor with plug-in acknowledgement elements is designed for applications where the simple installation of an adjustable mechanical stop with electronic acknowledgement is required.

Heavy duty fine threaded stop screws serve as finely adjustable end stops.

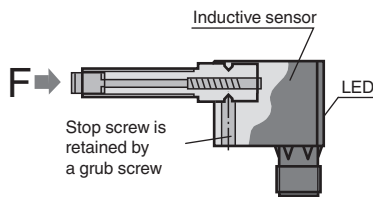
The state of the acknowledgement element is indicated by the built-in LED on the proximity sensor.

**Accessories:**

Stop screws (Acknowledgement elements)



Type Coding	A	B	L	L1	L2	Load F max.
AS 08/15	M 8 x 1	6	15	3.5	2	2 000 N
AS 08/40	M 8 x 1	6	40	3.5	2	2 000 N
AS 10/50	M 10 x 1	7	50	2.5	1	9 500 N
AS 12/60	M 12 x 1	9	60	2	0.5	20 500 N
AS 12/80	M 12 x 1	9	80	2	0.5	20 500 N



## Accessories

	<b>AS 12/60</b>	Stop screw for series F2 sensors
	<b>AS 08/40</b>	Stop screw for series F2 sensors
	<b>AS 10/50</b>	Stop screw for series F2 sensors
	<b>AS 12/80</b>	Stop screw for series F2 sensors
	<b>V3-WM-2M-PUR</b>	Female cordset single-ended, M8, 3-pin, PUR cable
	<b>AS 08/15</b>	Stop screw for series F2 sensors

Release date: 2020-03-20 Date of issue: 2020-03-30 Filename: 086589\_eng.pdf