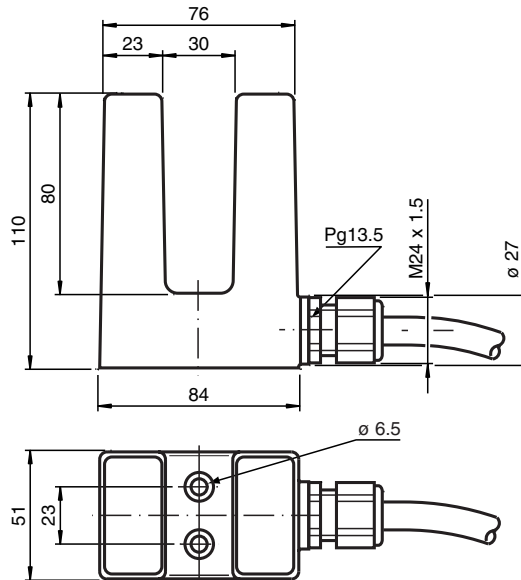


# Inductive slot sensor SJ30-N

■ 30 mm slot width



## Dimensions



## Technical Data

### General specifications

Switching function	Normally closed (NC)
Output type	NAMUR
Slot width	30 mm
Depth of immersion (lateral)	27 ... 30 mm
Output type	2-wire

### Nominal ratings

Nominal voltage	$U_o$	8.2 V ( $R_i$ approx. 1 k $\Omega$ )
Operating voltage	$U_B$	5 ... 25 V
Switching frequency	f	0 ... 150 Hz
Hysteresis	H	0.1 ... 0.3 mm
Current consumption		
Measuring plate not detected		$\geq 3$ mA at nominal voltage
Measuring plate detected		$\leq 1$ mA at nominal voltage

Release date: 2020-12-15 Date of issue: 2020-12-15 Filename: 106616\_eng.pdf

Refer to "General Notes Relating to Pepperl+Fuchs Product Information".

Pepperl+Fuchs Group  
www.pepperl-fuchs.com

USA: +1 330 486 0001  
fa-info@us.pepperl-fuchs.com

Germany: +49 621 776 1111  
fa-info@de.pepperl-fuchs.com

Singapore: +65 6779 9091  
fa-info@sg.pepperl-fuchs.com

**PF** PEPPERL+FUCHS

## Technical Data

<b>Functional safety related parameters</b>	
MTTF <sub>d</sub>	5270 a
Mission Time (T <sub>M</sub> )	20 a
Diagnostic Coverage (DC)	0 %
<b>Compliance with standards and directives</b>	
Standard conformity	
NAMUR	EN 60947-5-6:2000 IEC 60947-5-6:1999
Standards	EN 60947-5-2:2007 EN 60947-5-2/A1:2012 IEC 60947-5-2:2007 IEC 60947-5-2 AMD 1:2012
<b>Approvals and certificates</b>	
IECEX approval	
Equipment protection level Ga	IECEX PTB 11.0091X
Equipment protection level Gb	IECEX PTB 11.0091X
Equipment protection level Da	IECEX PTB 11.0091X
Equipment protection level Mb	IECEX PTB 11.0091X
ATEX approval	
Equipment protection level Ga	PTB 99 ATEX 2219 X
Equipment protection level Gb	PTB 99 ATEX 2219 X
Equipment protection level Da	PTB 99 ATEX 2219 X
FM approval	
Control drawing	116-0165
UL approval	
Ordinary Location	E87056
Hazardous Location	E501628
Control drawing	116-0453
CSA approval	
	cCSAus Listed, General Purpose
CCC approval	
Hazardous Location	2020322315002307
NEPSI approval	
NEPSI certificate	GYJ16.1391X
<b>Ambient conditions</b>	
Ambient temperature	-25 ... 70 °C (-13 ... 158 °F)
<b>Mechanical specifications</b>	
Connection type	cable PVC , 2 m
Core cross-section	0.75 mm <sup>2</sup>
Housing material	ABS
Degree of protection	IP67
Cable	
Bending radius	> 10 x cable diameter
Mass	450 g
<b>General information</b>	
Use in the hazardous area	see instruction manuals

Release date: 2020-12-15 Date of issue: 2020-12-15 Filename: 106616\_eng.pdf

Connection



Release date: 2020-12-15 Date of issue: 2020-12-15 Filename: 106616\_eng.pdf

Refer to "General Notes Relating to Pepperl+Fuchs Product Information".

Pepperl+Fuchs Group  
www.pepperl-fuchs.com

USA: +1 330 486 0001  
fa-info@us.pepperl-fuchs.com

Germany: +49 621 776 1111  
fa-info@de.pepperl-fuchs.com

Singapore: +65 6779 9091  
fa-info@sg.pepperl-fuchs.com