

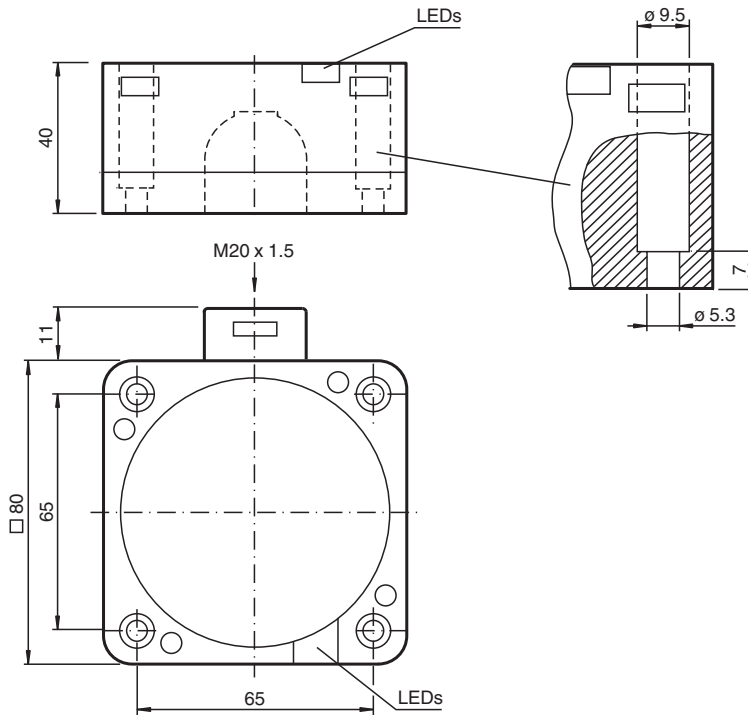


# Inductive sensor NCN50-FP-W-P1

- 50 mm non-flush
- 2-wire AC



## Dimensions



## Technical Data

### General specifications

Switching function		Normally open/closed (NO/NC)
Output type		Two-wire
Rated operating distance	$s_n$	50 mm
Installation		non-flush
Output polarity		AC
Assured operating distance	$s_a$	0 ... 40.5 mm
Reduction factor $r_{Al}$		0.4
Reduction factor $r_{Cu}$		0.3
Reduction factor $r_{304}$		0.85

Release date: 2020-12-10 Date of issue: 2020-12-10 Filename: 130546\_eng.pdf

Refer to "General Notes Relating to Pepperl+Fuchs Product Information".

Pepperl+Fuchs Group  
www.pepperl-fuchs.com

USA: +1 330 486 0001  
fa-info@us.pepperl-fuchs.com

Germany: +49 621 776 1111  
fa-info@de.pepperl-fuchs.com

Singapore: +65 6779 9091  
fa-info@sg.pepperl-fuchs.com

**pf** PEPPERL+FUCHS

## Technical Data

Output type		2-wire
<b>Nominal ratings</b>		
Operating voltage	$U_B$	20 ... 253 V AC
Switching frequency	$f$	0 ... 20 Hz
Hysteresis	$H$	typ. 3 %
Short-circuit protection		no
Voltage drop	$U_d$	$\leq 5$ V typ. 4V
Momentary current (20 ms, 0.1 Hz)		max. 4000 mA
Operating current	$I_L$	5 ... 500 mA
Off-state current	$I_r$	0.3 ... 1 mA typ. 0.7 mA
Time delay before availability	$t_v$	$\leq 100$ ms
Operating voltage indicator		LED, green
Switching state indicator		LED, yellow
<b>Compliance with standards and directives</b>		
Standard conformity		
Standards		EN 60947-5-2:2007 EN 60947-5-2/A1:2012 IEC 60947-5-2:2007 IEC 60947-5-2 AMD 1:2012
<b>Approvals and certificates</b>		
UL approval		cULus Listed, General Purpose
CSA approval		cCSAus Listed, General Purpose
CCC approval		Certified by China Compulsory Certification (CCC)
<b>Ambient conditions</b>		
Ambient temperature		-25 ... 70 °C (-13 ... 158 °F)
<b>Mechanical specifications</b>		
Connection type		screw terminals
Core cross-section		up to 2.5 mm <sup>2</sup>
Housing material		PBT
Sensing face		PBT
Housing base		PBT
Degree of protection		IP68
Note		<sup>1)</sup> In the temperature range below 0 °C, permissible operating voltage $U_b$ 80...253 V Safety fuse $\leq 2$ A (quick-blow) according to IEC 60127-2 Sheet 1 Recommendation: after a short circuit, check that the device is functioning correctly.

## Connection

