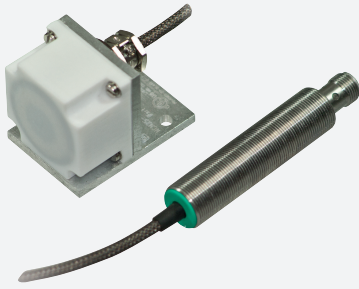


Inductive sensor

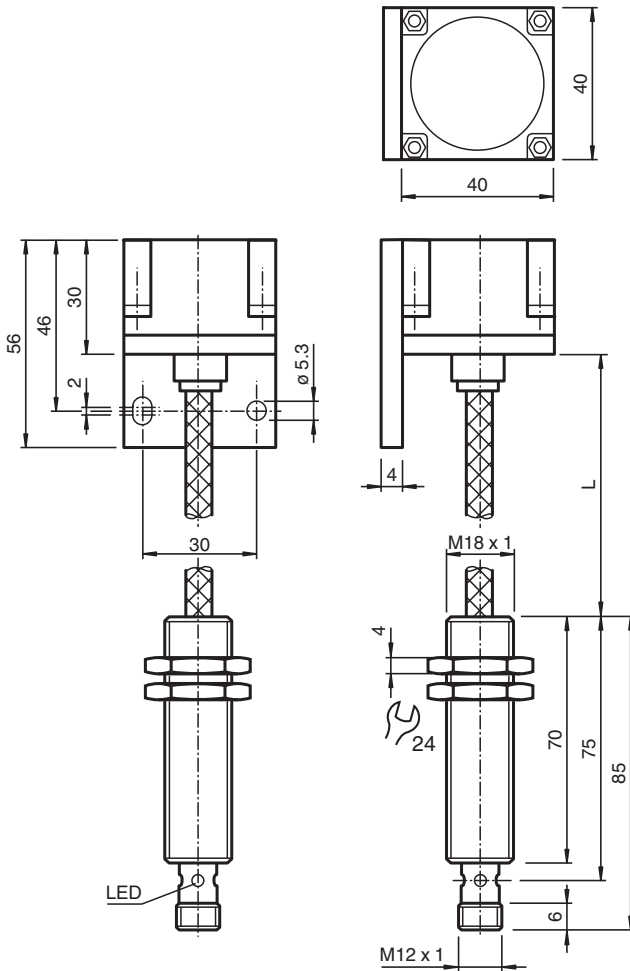
NCN25-F35-A2-250-V1



- Comfort series
- Extended temperature range of sensor component
0 ... 250 °C (0 ... 482 °F)
- 10 m cable between sensor and amplifier with metal case
- Suitable for drag chains and abrasion resistant
- Minimum bending radius of 30 cm for movable laying



Dimensions



Technical Data

General specifications

Switching function	complementary
Output type	PNP

Release date: 2020-10-05 Date of issue: 2020-10-05 Filename: 187479_eng.pdf

Refer to "General Notes Relating to Pepperl+Fuchs Product Information".

Pepperl+Fuchs Group
www.pepperl-fuchs.com

USA: +1 330 486 0001
fa-info@us.pepperl-fuchs.com

Germany: +49 621 776 1111
fa-info@de.pepperl-fuchs.com

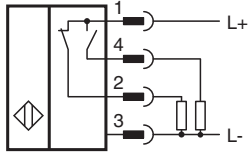
Singapore: +65 6779 9091
fa-info@sg.pepperl-fuchs.com

PF PEPPERL+FUCHS

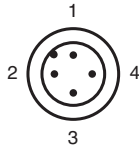
Technical Data

Rated operating distance	s_n	25 mm
Installation		flush mountable
Output polarity		DC
Assured operating distance	s_a	0 ... 20 mm
Reduction factor r_{Al}		0.5
Reduction factor r_{Cu}		0.5
Reduction factor r_{304}		0.6 ... 1
Output type		4-wire
Mounting angle		Al
Amplifier housing		Stainless steel
Nominal ratings		
Operating voltage	U_B	10 ... 30 V
Switching frequency	f	0 ... 20 Hz
Hysteresis	H	0.3 ... 5 typ. 2 %
Reverse polarity protection		reverse polarity protected
Short-circuit protection		pulsing
Voltage drop	U_d	≤ 3 V
Operating current	I_L	0 ... 200 mA
No-load supply current	I_0	≤ 25 mA
Time delay before availability	t_v	≤ 20 ms
Switching state indicator		Multihole-LED, yellow
Functional safety related parameters		
MTTF _d		7515 a
Mission Time (T_M)		20 a
Diagnostic Coverage (DC)		0 %
Compliance with standards and directives		
Standard conformity		
Standards		EN 60947-5-2:2007 IEC 60947-5-2:2007
Approvals and certificates		
UL approval		cULus Listed, General Purpose, Class 2 Power Source
CCC approval		CCC approval / marking not required for products rated ≤ 36 V
Ambient conditions		
Ambient temperature		0 ... 250 °C (32 ... 482 °F)
Mechanical specifications		
Connection type		Connector plug M12 x 1 , 4-pin
Cable version		PFA cable, with armour of stainless steel
Core cross-section		3 x 0.34 , screened
Housing material		PTFE / Al / 1.4305 / AISI 303
Sensing face		PTFE
Degree of protection		amplifier IP67 sensor IP40
Cable length		L = 10 m
Note		- amplifier 0 °C ... 70 °C - $r_{1.4305}$ dep. on thickness of measurement plate d: $r_{1.4305} = 1$ for $d < 1$ mm Additional accessory: Protective cover SH-F35 is available for use in areas where there is moisture and as a means of mechanical protection.

Connection



Connection Assignment

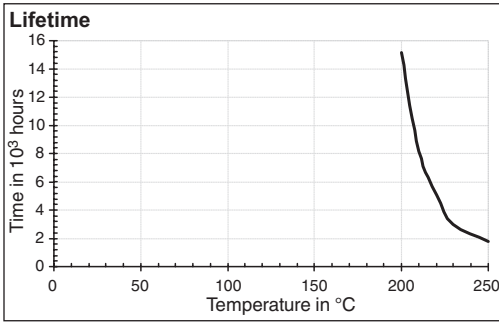


Wire colors in accordance with EN 60947-5-2

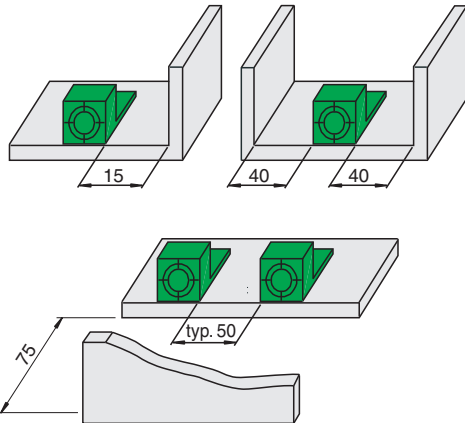
1		BN	(brown)
2		WH	(white)
3		BU	(blue)
4		BK	(black)

Release date: 2020-10-05 Date of issue: 2020-10-05 Filename: 187479_eng.pdf

Installation

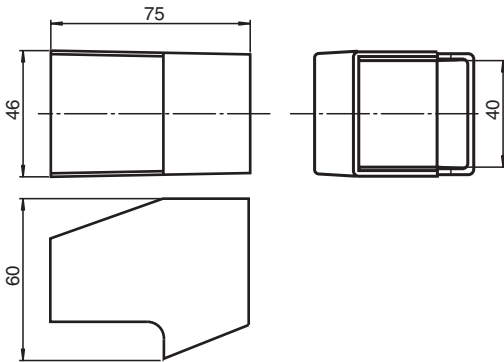


Installation:





Accessories:

Protective Cover SH-F35



Accessories

	V1-W-2M-PUR	Female cordset, M12, 4-pin, PUR cable
	V1-G-2M-PUR	Female cordset, M12, 4-pin, PUR cable

Release date: 2020-10-05 Date of issue: 2020-10-05 Filename: 187479_eng.pdf

Refer to "General Notes Relating to Pepperl+Fuchs Product Information".